

VW1101M-8-A wireless Module

**VitalWell Electronics Pte. Ltd.**

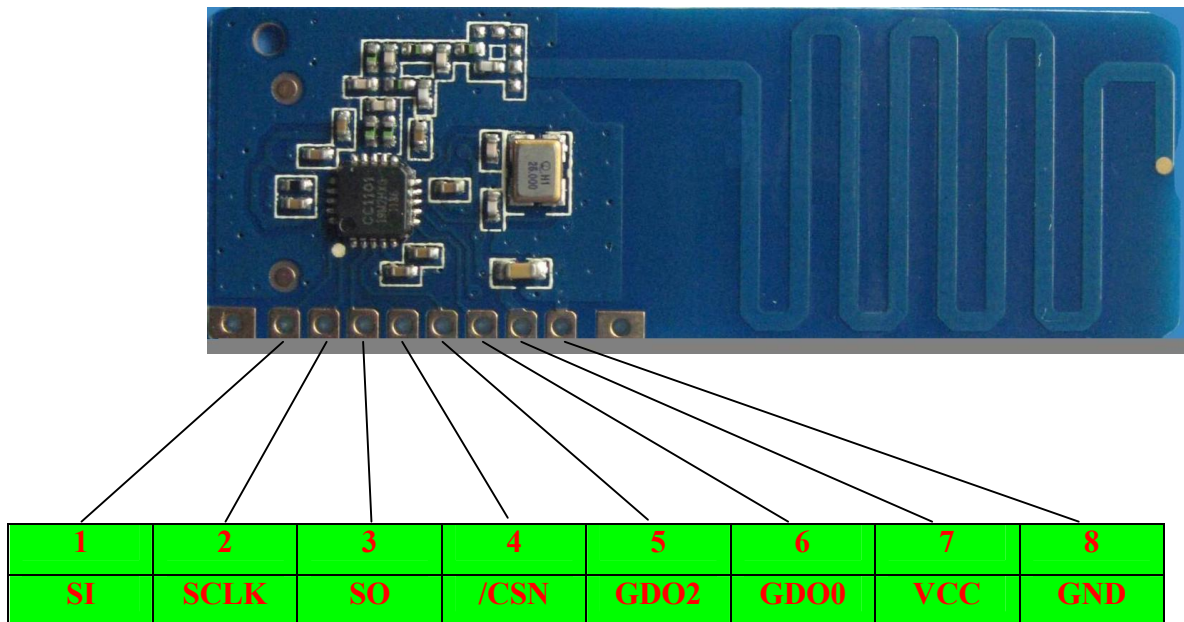


珠海元井电子有限公司  
珠海唐家南方软件园 D3-415/416  
中国珠海市  
电话: +86-0756-3867295

**VitalWell Electronics Pte Ltd.**  
Block D3, #415/416, Southern Software Park,  
TangJia, ZhuHai, China  
Tel: +86-0756-3867295

## Features

- Radio chip: Ti CC1101
  - Frequency Band: 868MHz
  - Embedded PCB antenna
  - Integrated FEC, high sensitivity.
  - Programmable data rate up to 500 kbps.
  - Separate 64-byte RX and TX data FIFOs.
  - Efficient SPI interface: All registers can be programmed with one "burst" transfer
  - Wake-on-radio functionality for automatic low-power RX polling
  - Many powerful digital features allow a high-performance RF system to be made using an inexpensive microcontroller
  - Integrated analog temperature sensor
  - Ideal for multi-channel operation
  - 2-FSK, GFSK, MSK and OOK supported
  - Small size: L x W x H = 50mm x 18mm x 2mm
- 
- Interface footprint : 2.0mm solder pad or pin header
  - Interface pin assignment compatible with module VW1101M



珠海元井电子有限公司  
珠海唐家南方软件园 D3-415/416  
中国珠海市  
电话: +86-0756-3867295

VitalWell Electronics Pte Ltd.  
Block D3, #415/416, Southern Software Park,  
TangJia, ZhuHai, China  
Tel: +86-0756-3867295