

VW1101M-8-A wireless Module

VitalWell Electronics Pte. Ltd.

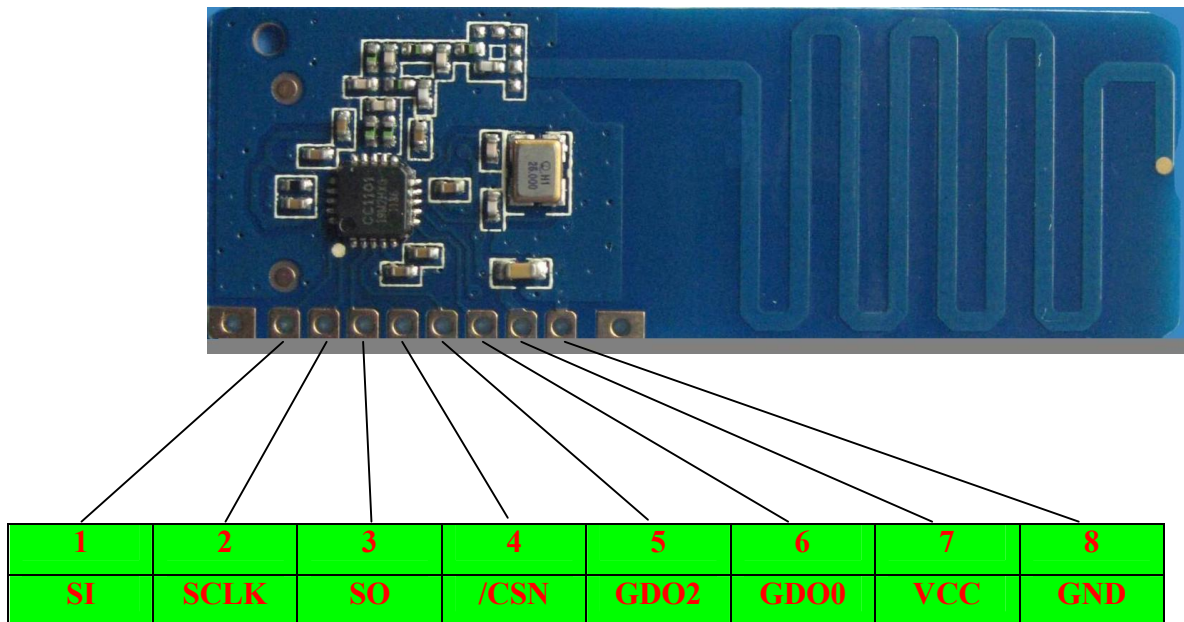


珠海元井电子有限公司
珠海唐家南方软件园 D3-415/416
中国珠海市
电话: +86-0756-3867295

VitalWell Electronics Pte Ltd.
Block D3, #415/416, Southern Software Park,
TangJia, ZhuHai, China
Tel: +86-0756-3867295

Features

- Radio chip: Ti CC1101
 - Frequency Band: 868MHz
 - Embedded PCB antenna
 - Integrated FEC, high sensitivity.
 - Programmable data rate up to 500 kbps.
 - Separate 64-byte RX and TX data FIFOs.
 - Efficient SPI interface: All registers can be programmed with one "burst" transfer
 - Wake-on-radio functionality for automatic low-power RX polling
 - Many powerful digital features allow a high-performance RF system to be made using an inexpensive microcontroller
 - Integrated analog temperature sensor
 - Ideal for multi-channel operation
 - 2-FSK, GFSK, MSK and OOK supported
 - Small size: L x W x H = 50mm x 18mm x 2mm
-
- Interface footprint : 2.0mm solder pad or pin header
 - Interface pin assignment compatible with module VW1101M



珠海元井电子有限公司
珠海唐家南方软件园 D3-415/416
中国珠海市
电话: +86-0756-3867295

VitalWell Electronics Pte Ltd.
Block D3, #415/416, Southern Software Park,
TangJia, ZhuHai, China
Tel: +86-0756-3867295