

# Pin Assignment Diagram of VW320A

**NO.1 Interface : RS485**

**NO.2 Interface : 232 TTL**

**NO.3 Interface : RS232**

**Vitalwell Electronics (Zhuhai) Pte. Ltd.**



NO. 1

## Pin Assignment Diagram of VW320A-485

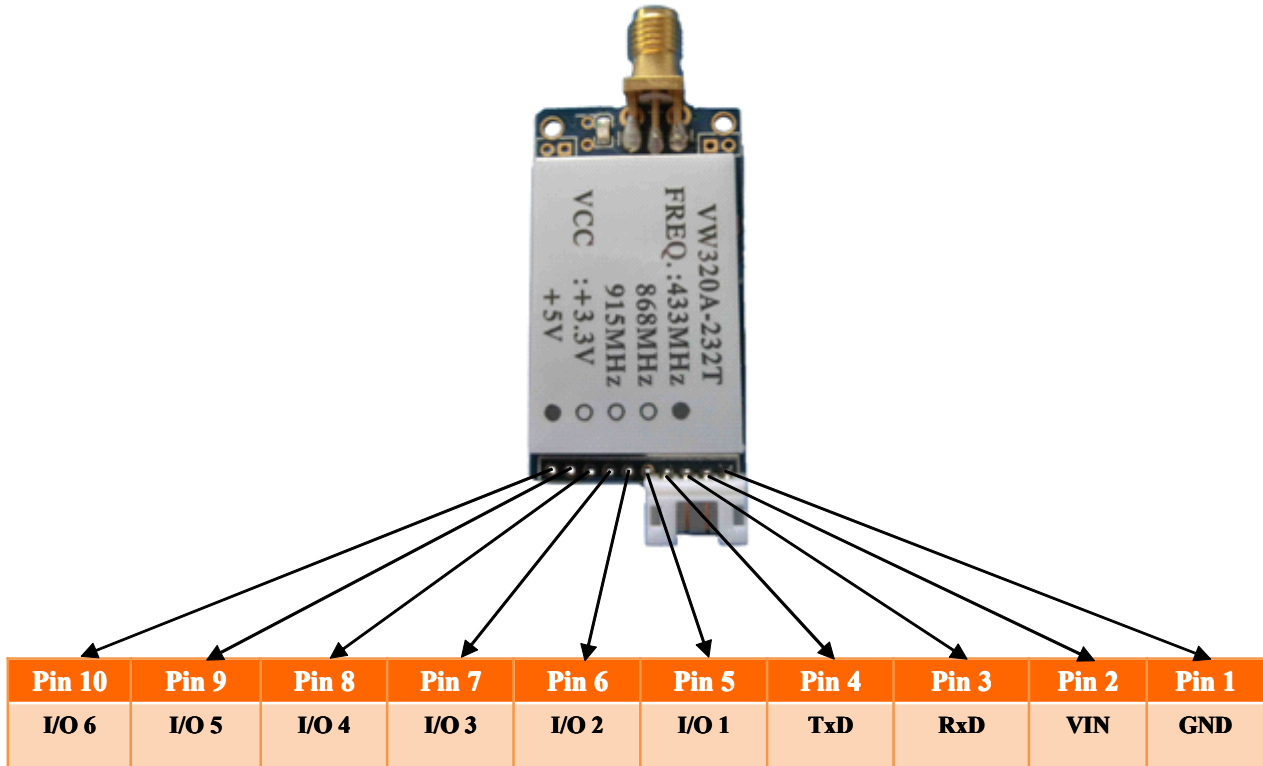
Interface : RS485



NO. 2

## Pin Assignment Diagram of VW320A-232T

Interface :232TTL



## Pin Assignment Diagram of VW320A-232C

Interface :RS232

